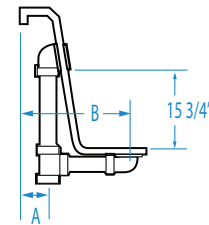
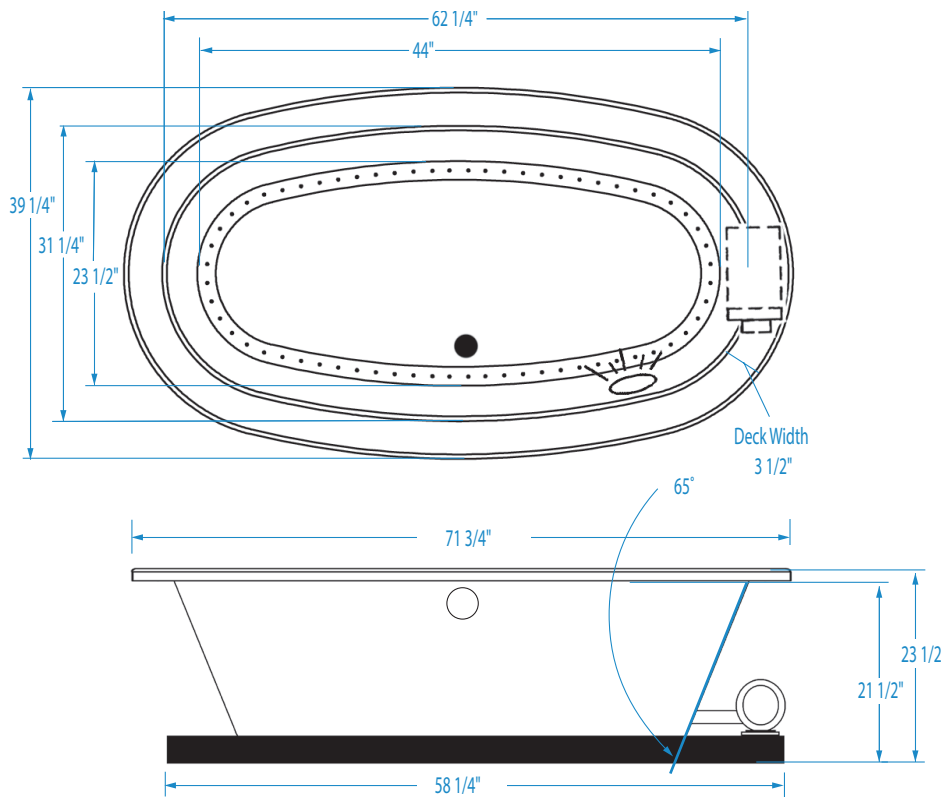


SERENITY 20

71 ¾ x 39 ¼ x 23 ½ (1820 x 995 x 595)
inches (mm)



Note: Serenity tub only models feature a Pre-leveled ABS Support Base.



FEATURES lbs (kg) Dimensional Tolerance ± 3/8". Dimensions needed for site preparation should be measured from the unit. Aquatic assumes no responsibility for preparatory work.

| Type and Model # | Material | System | Powered By | Heater | Controls | Drain | Pkg. Wt. |
|--------------------------|----------|-------------------|-----------------------|---------------------------|------------|--------------|-----------|
| Soaker #AI20AIR7240TO | Acrylic | – | – | – | – | Center Front | 270 (122) |
| HotSoak #AI20AIR7240HS | Acrylic | Water circulation | Pump | 1.5 kW Inline maintenance | Electronic | Center Front | 300 (136) |
| Air Bath #AI20AIR7240 | Acrylic | Air channel | Variable speed blower | Integrated | Electronic | Center Front | 300 (136) |
| DriftBath #AI20AIR7240DB | Acrylic | Water circulation | Pump | Integrated | Electronic | Center Front | 311 (141) |

DIMENSIONS inches (mm)

| Width Overall / Net | Depth Overall / Net | Height Overall / Net | Skirt Height |
|------------------------|------------------------|-------------------------|-----------------|
| 71 ¾ (1820) | 39 ¼ (995) | 23 ½ (595) | – |

SUMP DATA inches (mm)

| Capacity to Overflow gal (ltr) | Min. Operating Capacity gal (ltr) | WIDTH @ centerline | | DEPTH @ centerline | |
|--------------------------------------|---|--------------------|-----------|--------------------|------------|
| | | Top | Bottom | Top | Bottom |
| 76 (288) | – | 62 ¼ (1580) | 44 (1120) | 31 ¼ (795) | 23 ½ (595) |

PLUMBING DIMENSIONS inches (mm)

| A | B | Drain Diameter / Clearance |
|-----------|------------|----------------------------------|
| 4 ¾ (120) | 12 ⅞ (310) | |

ELECTRICAL DATA

| Component | Specification | Requirement |
|--------------------------|------------------------|--|
| Heated Blower (Air Bath) | 10.5 AMP; 120V | 15 AMP; 120V, separate circuit; Class A GFCI |
| Pump (HotSoak) | 1/15 HP; 1.3 AMP; 120V | 20 AMP; 120V, separate circuit; Class A GFCI |
| Heater (HotSoak) | 1.5 kW; 12 AMP; 120V | |
| Pump (DriftBath) | 3/4 HP; 8.8 AMP; 120V | 15 AMP; 120V, separate circuit; Class A GFCI |

NOTES:

1) Where applicable, utilize cut-out templates packed with unit for deck cutouts.

2) 16 x 16 (405 x 405) minimum access required at pump/blower location(s).

3) For Low Profile Deck, framing height will need to be increased by an additional 1".

Each Serenity air bath is equipped with an air heating system to raise the temperature of the air entering the bath. This air temperature will be lower than the bathing temperature of the water, but will help reduce rapid decrease in water temperature. In addition, the air coming from the air jets will feel cool against the skin. This system does not heat the water.